

*Mof*

ELECTRONICS

**Inside Front Cover**

## **Thank You for Purchasing the SourcePoint 888.**

The name SourcePoint 888 is derived from the use of three 8-inch drivers.

My goal for the SourcePoint 888 is to enhance the technology and sound quality of the SourcePoint 8 and elevate it to an even higher performance level.

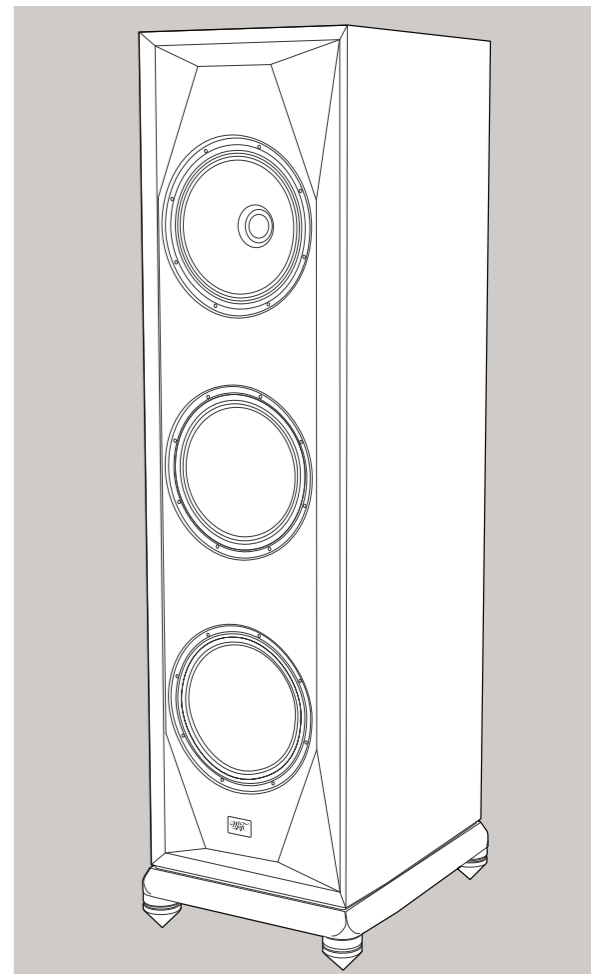
Starting with SourcePoint 8's unique twin drive magnet structure, paper pulp cone, and concentrically mounted soft dome tweeter I have added two newly developed dedicated 8-inch woofers to create a 3-way floor-standing speaker with exceptional bass extension and dynamics. The additional woofers operate below 130Hz and relieve the concentric driver from the task of producing deep bass, allowing it to be optimized for midrange and treble performance.

The new woofers employ dual opposing neodymium magnets in a configuration that employs a short coil in a long magnetic gap. The magnetic field is entirely uniform throughout the gap, resulting in a very linear and precisely controlled force for driving the cone.

Every driver operates in optimally sized individual isolated chambers, the construction of which adds considerable stiffness to the cabinet to help reduce cabinet resonances.

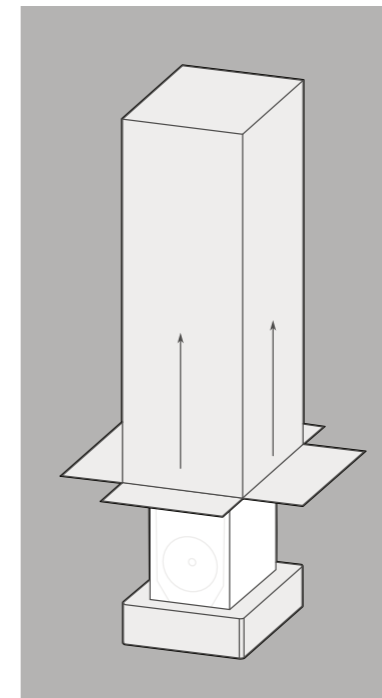
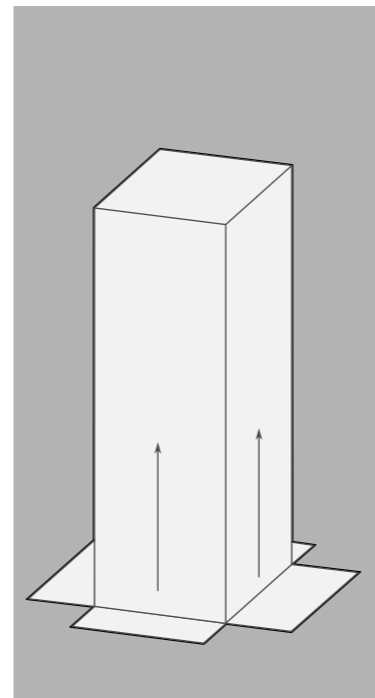
Please follow the setup guidelines outlined in this manual and feel free to experiment to optimize your listening experience. I hope you will enjoy listening to it as much as I have enjoyed designing it.

Andrew Jones  
Chief Loudspeaker Designer  
MoFi Electronics



## General Safety and Installation

- Be sure to connect the speakers according to the instructions in this manual.
- Any time you directly handle the speakers, do not place your hand or fingers on the driver cone.
- Do not place the speakers in areas that may be in direct sunlight; have high humidity; are too hot or cold; or that block ventilation openings.
- Do not place the speakers near heat sources such as radiators, valves, stoves, or other heat-emitting apparatus (including amplifiers).
- To prevent overload, avoid playing the speakers at extreme volume levels for extended time periods, particularly if left unattended.
- Clean the speakers with a soft, smooth cloth or with a dust brush. Do not use scouring agents, alcohol, benzene, furniture polish, or other agents.
- Do not install the speakers in a closed rack or in a closed cupboard.
- Continuous high volume may cause severe damage to your hearing.
- Install the speakers on a level surface.
- Avoid placing anything on top of the speakers, especially products with rubber feet, which may damage the finish.
- **WARNING:** Stability on carpeted surfaces can be increased by using spikes; do not use spikes on smooth hard floors. Avoid contact with the spike tips, which can be very sharp.



## Unboxing Your Speaker

To open the double-boxed package, stand the carton upside down and carefully open the outer carton flaps and fold them outward. Next open the inner carton flaps. Fold the flaps outward, remove the foam packing piece, flip the box right side up and slowly lift the carton to reveal the speaker. One of the pieces of packing foam will likely remain inside the box. The speaker will now be right side up and contained within a white protective bag with a center ring of packing foam. Remove the foam by lifting it upwards. Remove the tape holding the bag closed and drop the bag to the floor.

Carefully remove the bag. The speaker will now be sitting on its four feet. If you wish to remove or change the feet, refer to the section "Installing the Feet"

## Connecting Your Speakers

Your speakers are equipped with two sets of binding posts to allow for bi-wire and bi-amp connectivity. The binding posts are linked with straps. Leave them in place if not bi-amping or bi-wiring. Please see the following page for instructions on how to connect for bi-wiring or bi-amping.

Power off all partnering audio equipment before connecting the speakers.

Connect the positive-marked side of one end of the cable to the positive-marked (red) terminal on the amplifier/receiver and the other end to the positive-marked (red) terminal of the speaker. Repeat the procedure for the negative-marked ends of the cable.

If using a bare wire connection (rather than spades or plugs), strip approximately 3/4" of the insulation from the ends of the cable, twist the bare strands clockwise, insert the strands into the binding post, and tighten the post. Check to see that no stray strands of wire bridge the gap between the terminals.

## Bi-Wiring and Bi-Amping

Warning; Before connecting for bi-wiring or bi-amping, you must remove the shorting straps. Failure to do so will either defeat the purpose or potentially damage your amplifier.

Diagram A shows the connection for bi-wiring. One set of cables is connected to the lower pair of terminals. This is the Woofer channel. The other set of cables is connected to the upper pair of terminals. This is the Midrange / Tweeter channel. Not all amplifiers have dual sets of speaker posts, so the two cables will have to be wired into common posts. Be very careful to dress the wires such that nothing can short circuit.

Diagram B shows the connection for bi-amping. The amplifier must be specifically configured for bi-amping. Carefully follow the instructions provided by the amplifier manufacturer. If in any doubt about how to do this, contact the amplifier manufacturer.

The woofer cables of one speaker are connected to one set of terminals of the amplifier, and the tweeter cables of that speaker are connected to the set of terminals. Repeat for the second speaker. Be sure to maintain the polarity of the cable connections as instructed in the "Connecting Your Speakers" section. It is critical that you connect your cables correctly to the terminals indicated in your amplifier instruction manual. Please take extreme care.

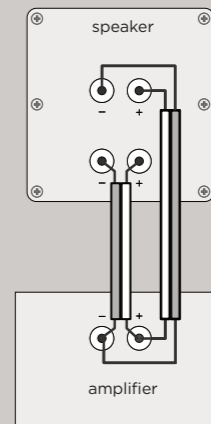
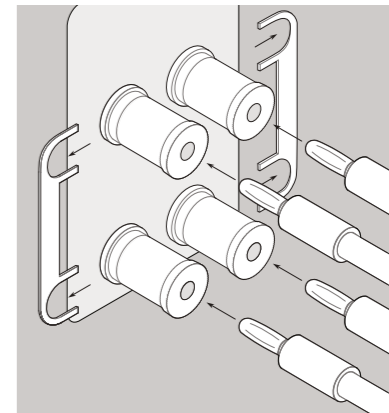


Diagram A

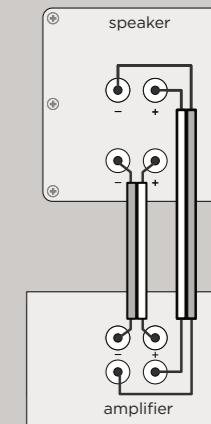


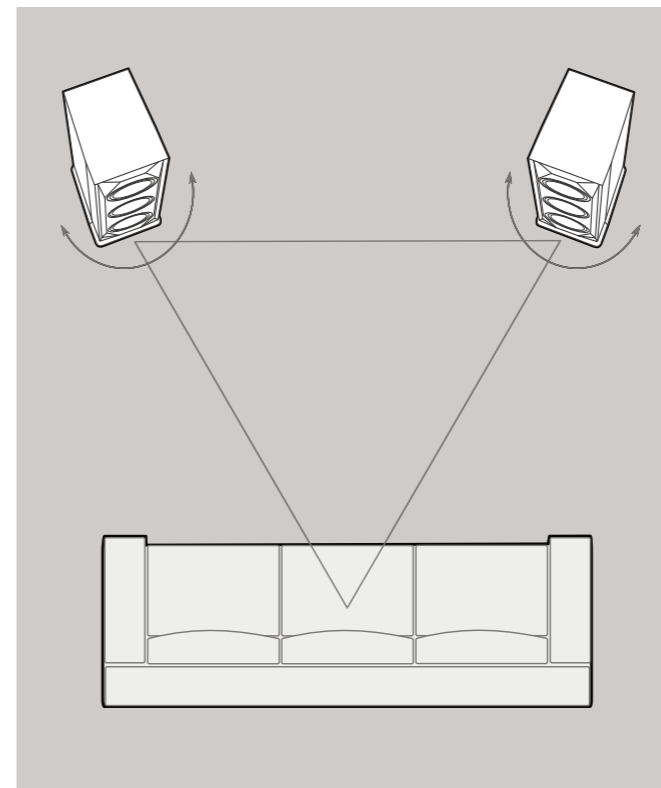
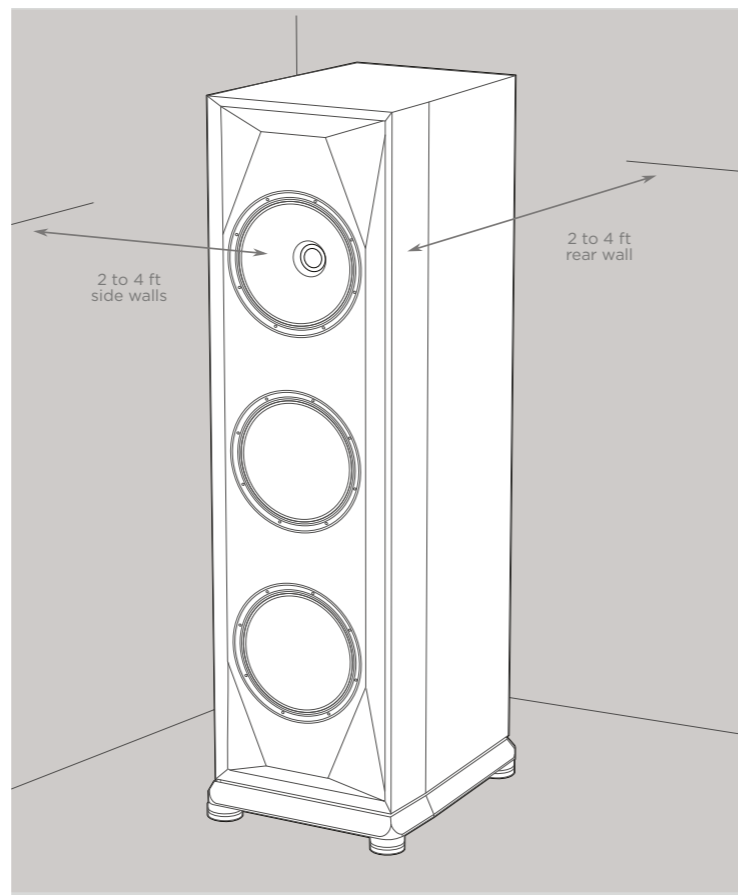
Diagram B

## Speaker Placement

There is no golden rule for speaker placement, but following a few general guidelines will help optimize performance. Spend time experimenting with speaker placement, one of the most effective and affordable ways of maximizing the sound quality of these speakers.

Start by placing the speakers approximately one to three feet away from boundaries such as walls and corners. Placing them in too close proximity to a side or rear wall often increases the level of the low bass and it may become excessive, depending upon your room and your preference.

Experimentation is key. Move the speakers around while listening to your favorite tracks. Listen for controlled, balanced bass at all frequencies. Focus on the bass relative to the mid-bass and low midrange. Also, listen to male and female vocals and determine whether the voice is natural without sounding “chesty.”



## Optimizing Stereo Imaging

Imaging is often overlooked when listening of stereo speakers. If correctly spaced and arranged with an optimal toe-in angle, these speakers can create a large involving soundstage while retaining focused imaging.

Start by placing the speakers so they form an equilateral triangle with the listener. Rotate each speaker so that it points towards the listener. With the concentric-driver utilized in these speakers, you may get better results by rotating the speakers so that their axes points slightly in front of or behind the listener. To determine which sounds best, cue up some music and listen to the size and scale of the sound field, and how focused center voices sound.

Also, try moving the speakers further apart, or closer together, and listen again for imaging. Be aware that as you move the speakers further apart, they will come closer to the side walls. You can compensate for potential sound degradation by toeing in the speakers to a greater degree. After you try out different setups, choose the option that sounds the best to you. There is no right or wrong.

## Installing the Feet

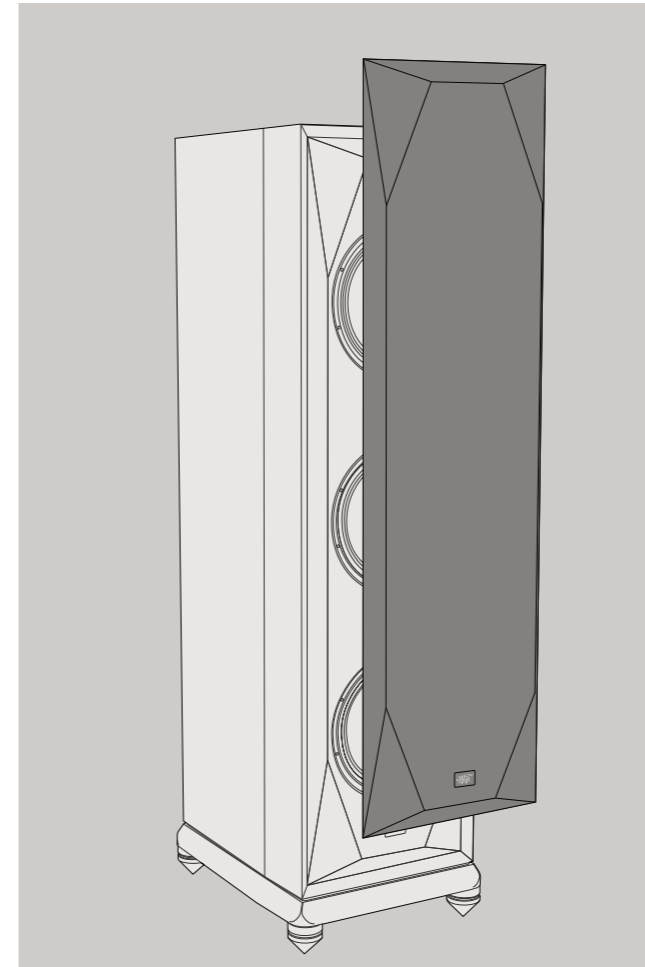
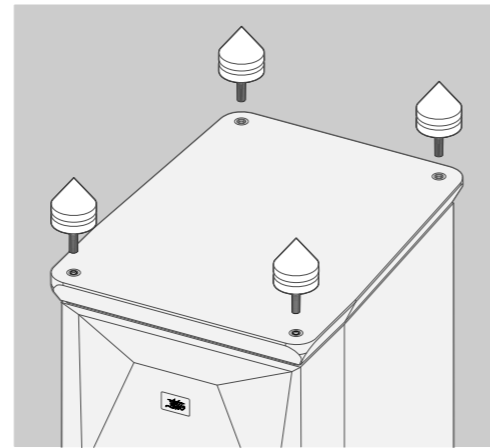
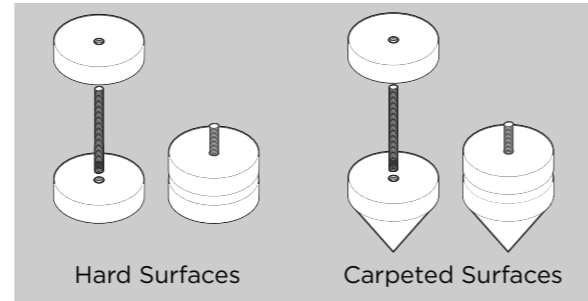
The feet are supplied in four pieces: a threaded rod, a locking ring, a cone, and a flat foot. The cone is intended for use on carpeted floors and the flat foot for use on wood or tiled floors. The feet with the flat foot are pre-installed to the cabinet. Follow the speaker placement guide with the installed flat feet to optimize the location of the speaker. You can then determine whether to continue to use the flat foot, or whether you prefer to use the cone. Be aware that the cone is likely to damage a wooden or tile floor.

To change from flat foot to cone, you may find it easier to turn the speaker upside down for better access. Be sure to first mark the location of the speaker, and get help with moving the speaker as it is very heavy.

Remove each flat foot by rotating both the foot and the locking ring counter-clockwise. The threaded rod may stay attached to the cabinet. If so then remove it. Next re-assemble, screwing the locking ring onto the threaded rod followed by the cone. Rotate the locking ring so that it is in contact with the cone but not locked too tight. Now screw the assembly back into the cabinet. Do not overtighten.

Repeat the process for all four feet.

Once the speaker is returned to its upright position and correct location, you may need to level the speaker to avoid any rocking motion. Determine which foot is elevated with respect to the floor and slightly unscrew one (or more) of more of the feet to get the speaker perfectly level. Once you have a stable setting, rotate the locking ring upwards to relock it to the base of the cabinet.



## Attaching the Grilles

The grilles magnetically attach to the speakers. To affix, simply hold a grille by its edges and hold it up next to the front baffle. It will automatically pull itself to the baffle and self-locate. To remove it, hold the edges and pull it away from the baffle.

## SourcePoint888

Frequency Range	32Hz-30kHz
Nominal Impedance	6 Ohms, 4.5 Ohms minimum
Sensitivity	87dB/2.83V/1m
Crossover Frequency	130, 1.6kHz
Max Power Input	200W
Tweeter	1.25" wide roll soft dome
Midrange	8" Paper Cone
Woofers	2 x 8" Paper Cone
System Configuration	3-way vented box, concentric driver
Baffle Finish	Satin black painted baffle.
Cabinet Finish Options	Satin finish real walnut veneer / grey grille Black satin painted real ash veneer / black grille Painted satin white / grey grille
Dimensions (W x D X H)	12.6" x 16.1" x 42.1" 320mm x 410mm x 1070mm without grille 12.6" x 16.7" x 42.1" 320mm x 425mm x 1070mm with grille
Weight	96.2 lbs / 43 kg



Inside Back Cover

*MoFi* ELECTRONICS

[www.mofielectronics.com](http://www.mofielectronics.com)

MoFi Electronics - 1811 W Bryn Mawr Ave Chicago IL